

Keystone Concrete

Keystone Concrete

Keystone Concrete

Keystone Concrete

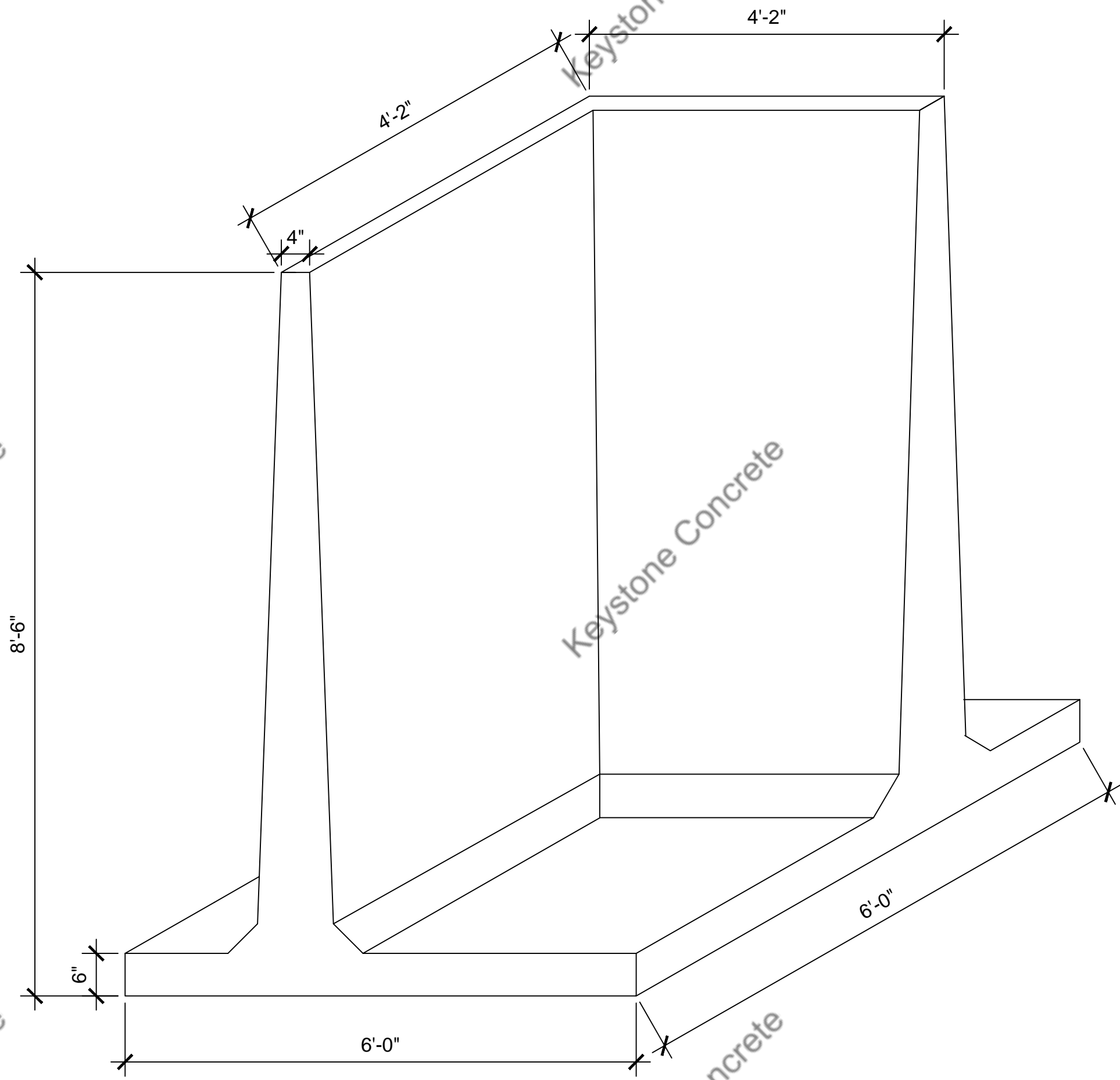
Keystone Concrete

Keystone Concrete

Keystone Concrete

Keystone Concrete

Keystone Concrete



General Notes

No.	Revision/Issue	Date

Firm Name and Address  
 Keystone Concrete Products Inc  
 477 E Farmersville Rd  
 New Holland PA 17557  
 717-355-2361 Phone  
 717-355-9548 Fax

Project Name and Address  
 New 8'6" Corner Panel

By	MWM	Sheet
Date	12-11-2015	
Scale	NTS	