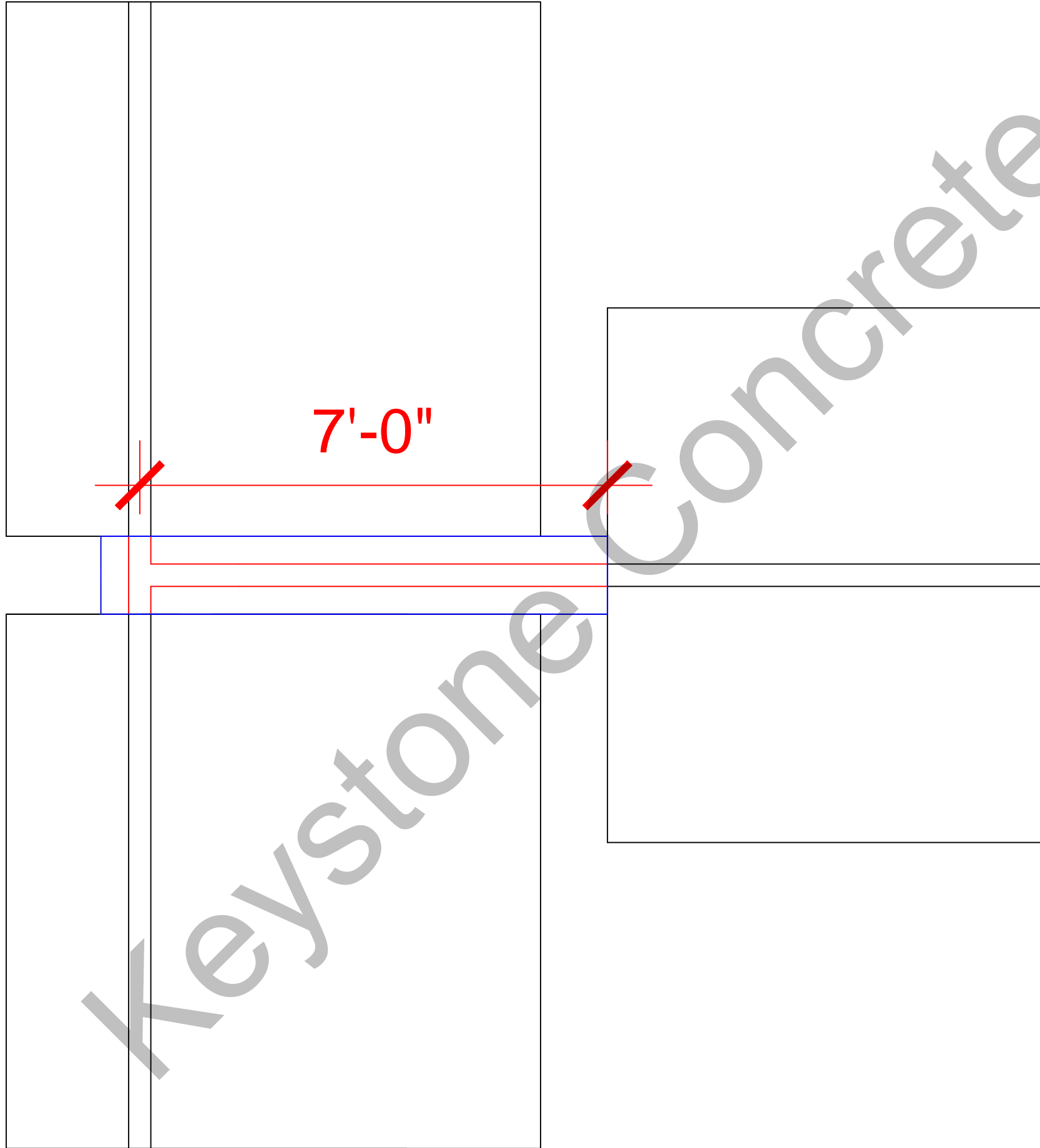


1'-2"

7'-0"



General Notes

No.	Revision/Issue	Date

Firm Name and Address
Keystone Concrete Products Inc
477 E Farmersville Rd
New Holland PA 17557
717-355-2361 Phone
717-355-9548 Fax

Project Name and Address
16' High T-T Panel

By	M.W.M.	Sheet
Date	7-25-2014	
Scale	NTS	