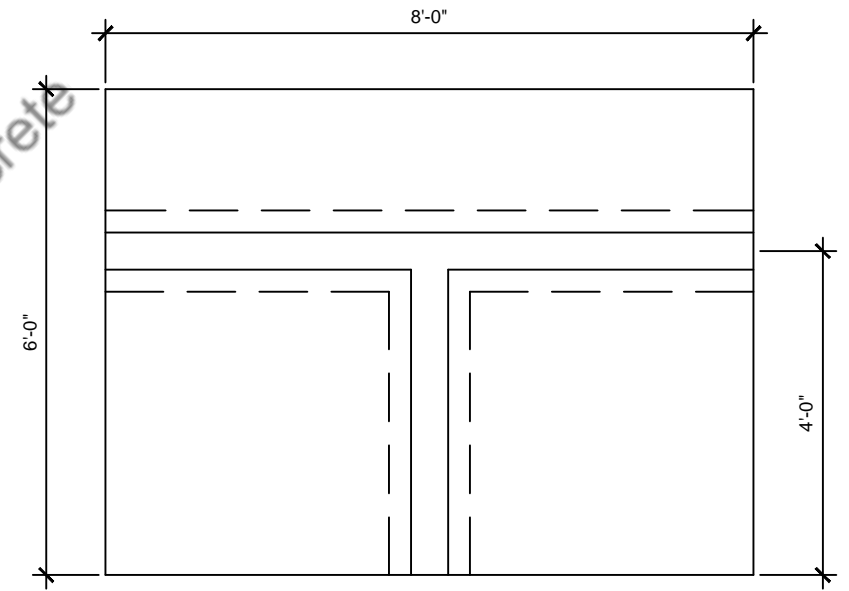
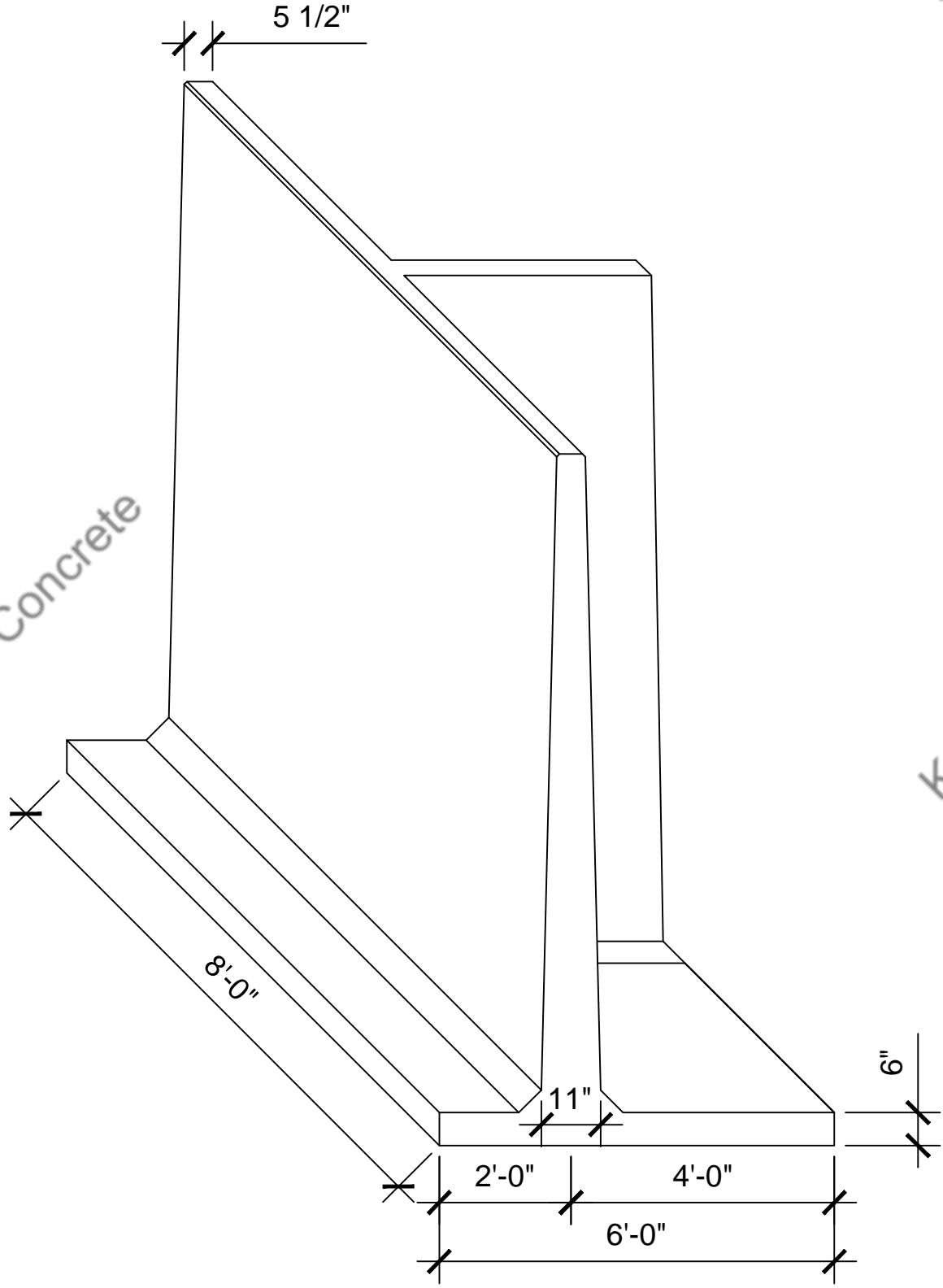


Keystone Concrete

Keystone Concrete

Keystone Concrete



General Notes

10'-6" Magnum TT Wall
Standard Specification:

5,000 PSI Concrete
Grade 60 Rebar
Panel Weight-16,350 LBS

OPTIONS:
3/4" Inserts in top of Wall
Force 10,000 Micro-silica
DCI-S Corrosion Inhibitor

No.	Revision/Issue	Date

Firm Name and Address

Keystone Concrete Products Inc
477 E Farmersville Rd
New Holland PA 17557
717-355-2361 Phone
717-355-9548 Fax

Project Name and Address

10'-6" Magnum TT Wall

By	J.A.S.	Sheet
Date	12-11-2019	
Scale	NTS	

Keystone Concrete

Keystone Concrete

Keystone Concrete

Keystone Concrete

Keystone Concrete

Keystone Concrete