

Keystone Concrete

Keystone Concrete

Keystone Concrete

Keystone Concrete

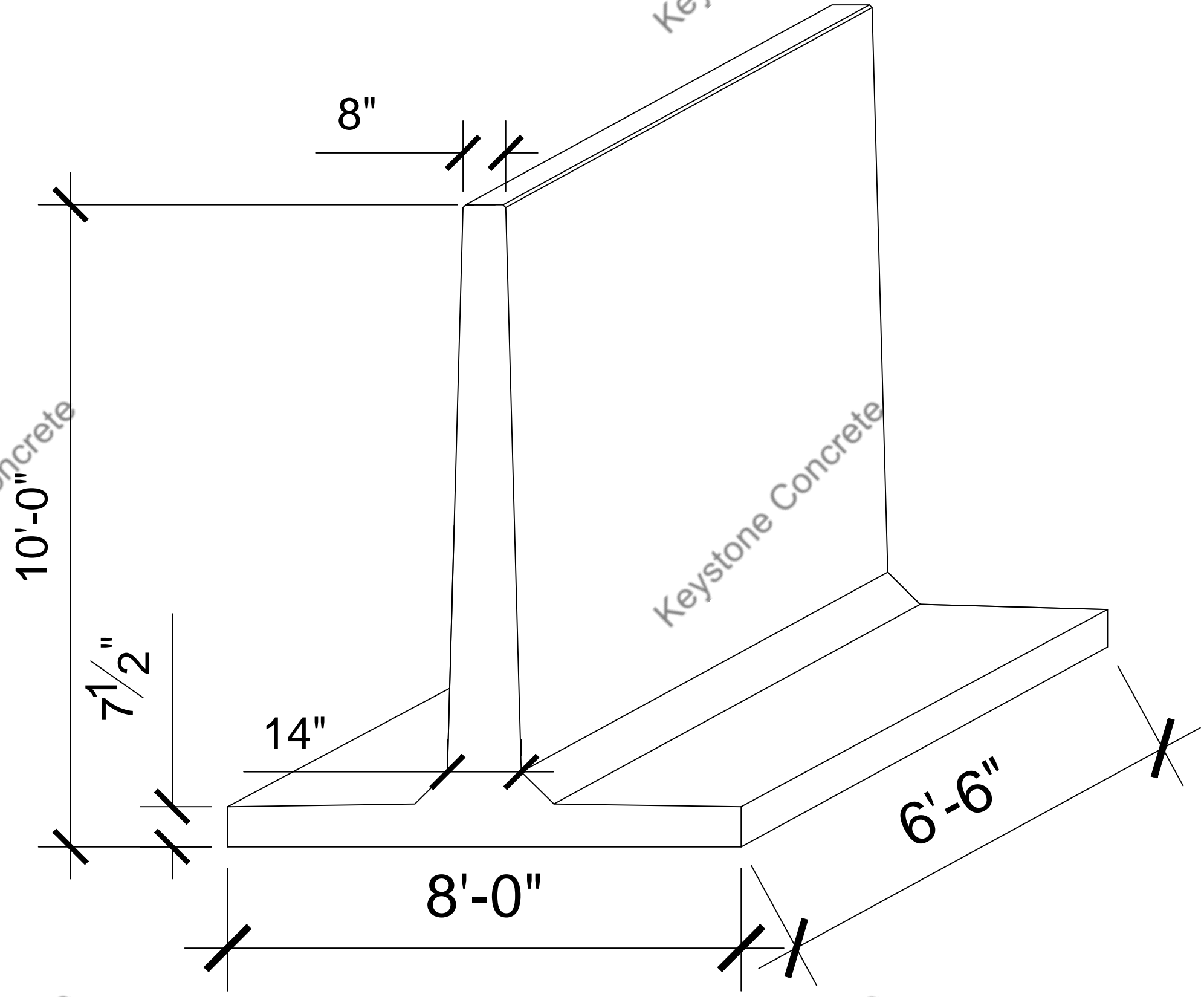
Keystone Concrete

Keystone Concrete

Keystone Concrete

Keystone Concrete

Keystone Concrete



General Notes

- 5,000 PSI Concrete
- Grade 60 steel
- 6'-6" panel length
- Panel Weight
- 6'-6" Panel 13,000 LBS

No.	Revision/Issue	Date

Firm Name and Address  
 Keystone Concrete Products Inc  
 477 E Farmersville Rd  
 New Holland PA 17557  
 717-355-2361 Phone  
 717-355-9548 Fax

Project Name and Address  
 10'-6" Center wall design  
 6'-6" section length

By	J.A.S.	Sheet
Date	2-26-19	
Scale	NTS	